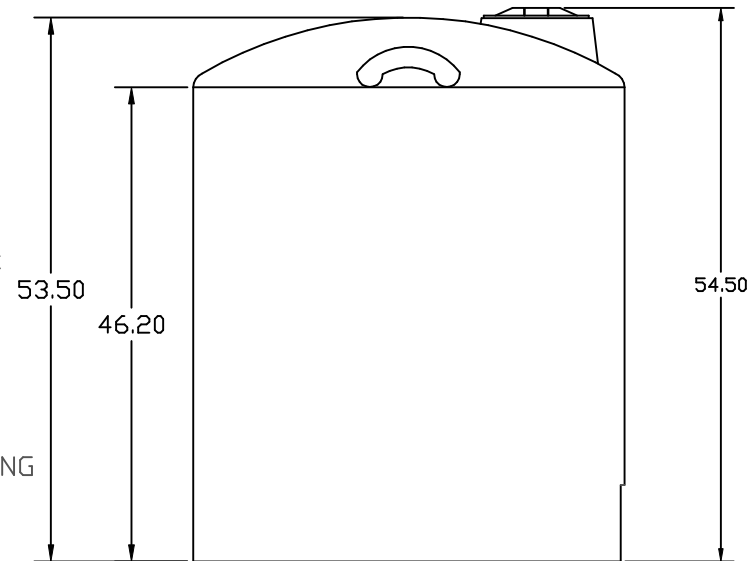
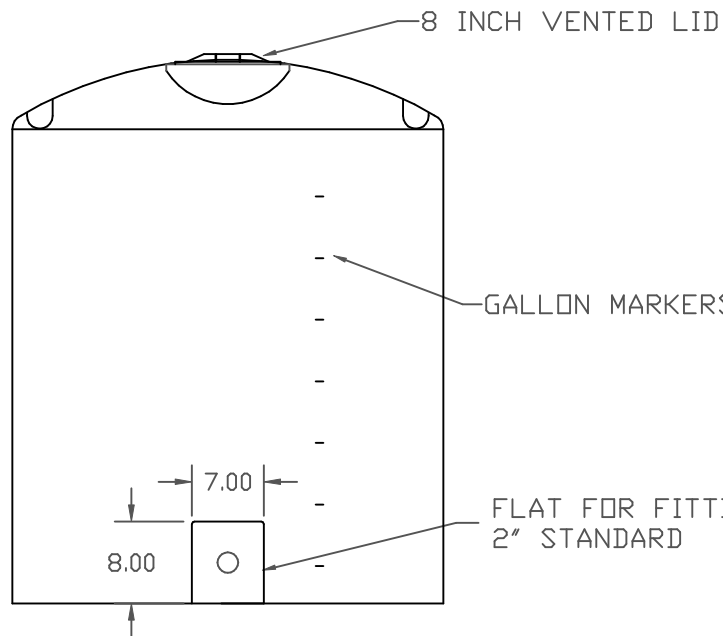
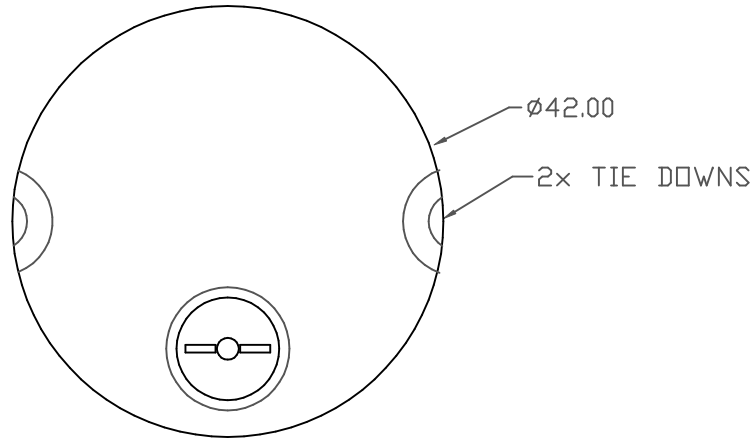


PROPRIETARY DATA

VT0300-42

A

PROPERTY OF ACE ROTO-MOLD MFG., INC. INFORMATION FURNISHED HEREIN IS THE PROPERTY OF ACE ROTO-MOLD MFG., INC. AND SHALL NOT BE USED, DISCLOSED TO OTHERS, OR COPIED WITHOUT THE EXPRESSED WRITTEN CONSENT OF ACE ROTO-MOLD MFG., INC. ALL RIGHTS RESERVED.



				DRAWN / DATE DHJ 3/11/04		MATERIAL	
				APPRD. / DATE ADH 11/19/07		HDPE OR EQUIVALENT REFERENCE MATERIAL DATA SHEET FOR SPECIFIC PROPERTIES.	
REV	DESCRIPTION	DATE	APPRD	THIRD ANGLE PROJECTION ANSI 14.5M		NOTES: 1. WHITE, BLACK, BLUE, GREEN, GREY, AND YELLOW COLOR 2. SHOT WEIGHT 72 LBS. 3. NOM. WALL @ .17 4. OPTIONAL 16" VENTED LID	
ALL DIMENSIONS ARE IN DECIMAL INCHES TOLERANCES UNLESS OTHERWISE SPECIFIED ± 1% @ 68° F							

<p>ACE ROTO-MOLD A DIVISION OF DEN HARTOG INDUSTRIES, INC. 4018 HWY. 60 BLVD., BOX 421, HOSPERS, IOWA 51238</p>		CLIENT / DESCRIPTION	
		300 GALLON VERTICAL TANK	
SCALE	N.S.	PART NO.	VT0300-42