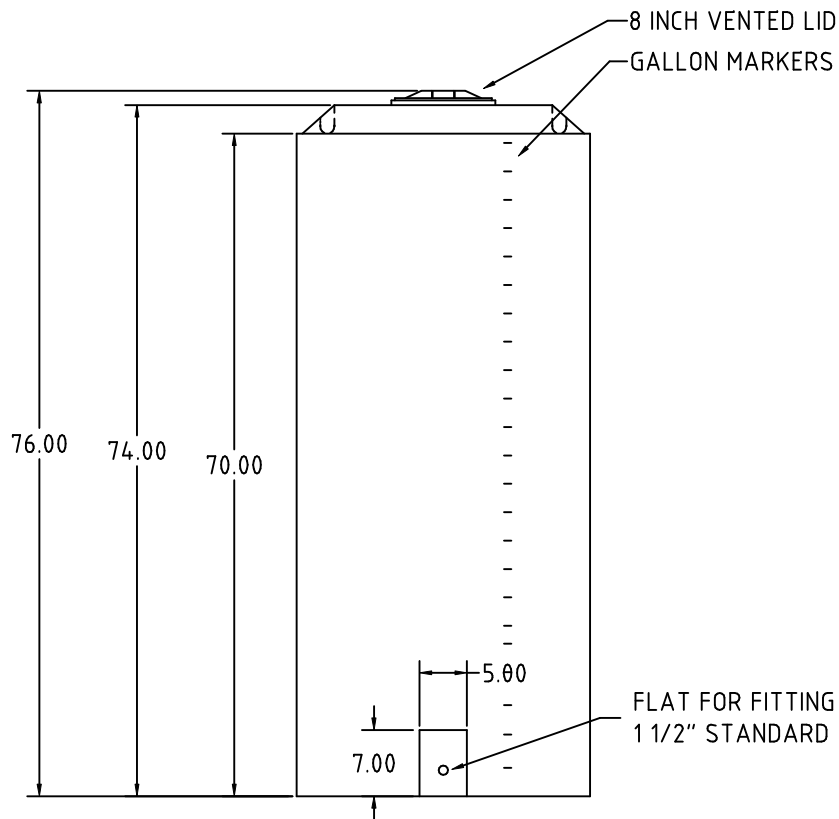
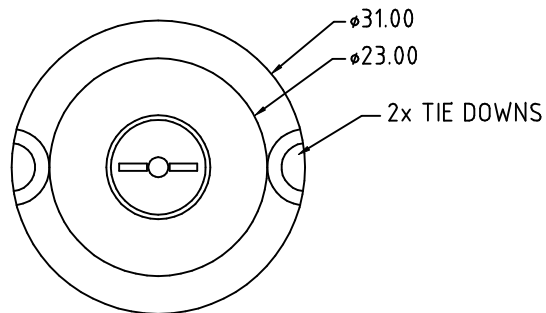


© DEN HARTOG INDUSTRIES, INC.

Copyright. All information furnished within this document, electronic file or design correspondence is the property of Den Hartog Industries, Inc. and shall not be used, disclosed to others or copied without the expressed written consent of Den Hartog Industries, Inc.



B	ADDRESS ADDED CCN 1855 ADH 5-5-09	
A	ADDED DIM. 76.00 8-26-05/NVE	
REV	DESCRIPTION	DATE APPRD.

DRAWN / DATE	DHJ 5/1/03
APPRD. / DATE	ADH 11/19/07

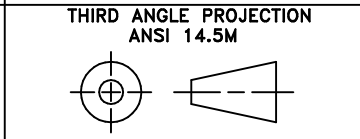
MATERIAL / SHOT WEIGHT	HDPE / 65 LBS.
------------------------	----------------

Ace Roto-Mold

A DIVISION OF DEN HARTOG INDUSTRIES, INC.
4010 HOSPERS DRIVE S. BOX 425, HOSPERS, IOWA 51238-0421 ©

CLIENT / DESCRIPTION

ALL DIMENSIONS ARE IN DECIMAL INCHES
TOLERANCES UNLESS OTHERWISE SPECIFIED
± 1% @ 68 F



NOTES:

1. NOM. WALL .250
2. BLACK, WHITE, OR YELLOW COLOR

SCALE	PART NO.
NONE	VT0225-31