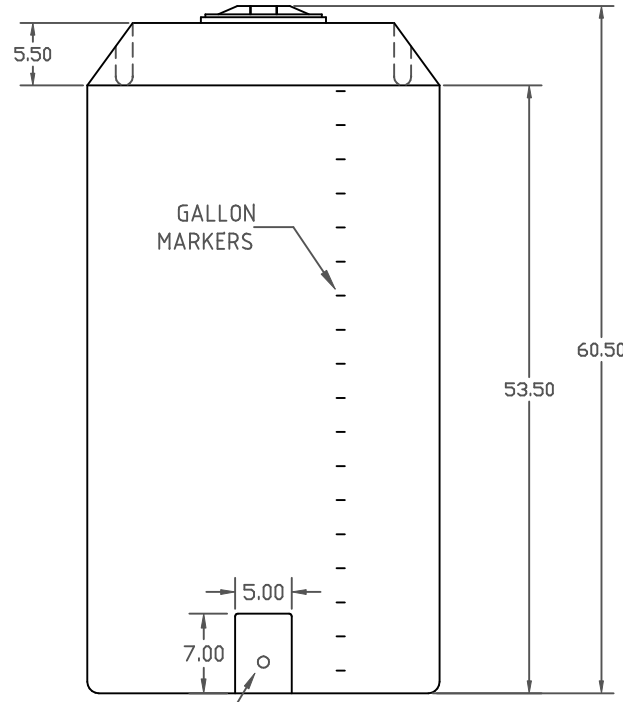
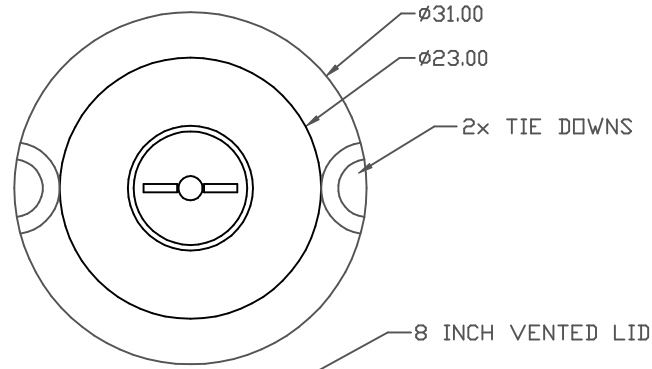


© DEN HARTOG INDUSTRIES, INC.


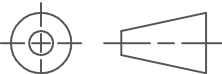
Copyright. All information furnished within this document, electronic file or design correspondence is the property of Den Hartog Industries, Inc. and shall not be used, disclosed to others or copied without the expressed written consent of Den Hartog Industries, Inc.

VT0175-31

A



FLAT FOR 1 1/2" STANDARD FITTING

				DRAWN / DATE DHJ 3/2/05	MATERIAL / SHOT WEIGHT POLYETHYLENE 54 LBS.	 <p>Ace Roto-Mold A DIVISION OF DEN HARTOG INDUSTRIES, INC. 4010 HOSPERS DRIVE S., BOX 425, HOSPERS, IOWA 51238</p>	
A	CHANGED SIDEWALL HEIGHT	3/21/06		APPRD. / DATE ADH 11/19/07			
REV	DESCRIPTION	DATE APPRD.	CCN			CLIENT / DESCRIPTION 175 GALLON VERTICAL	
ALL DIMENSIONS ARE IN DECIMAL INCHES TOLERANCES UNLESS OTHERWISE SPECIFIED $\pm 1\% \text{ @ } 68^\circ \text{ F}$				THIRD ANGLE PROJECTION ANSI 14.5M 	NOTES: 1. BLACK, BLUE, AND WHITE COLOR 2. .25 NOM. WALL	SCALE NONE	PART NO. VT0175-31