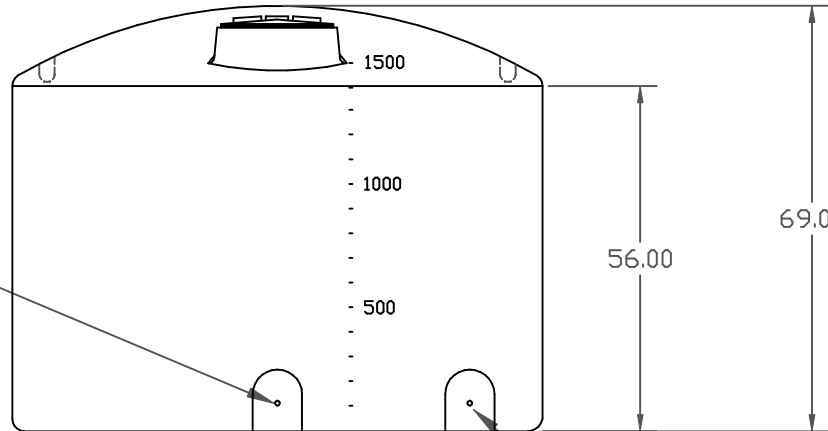
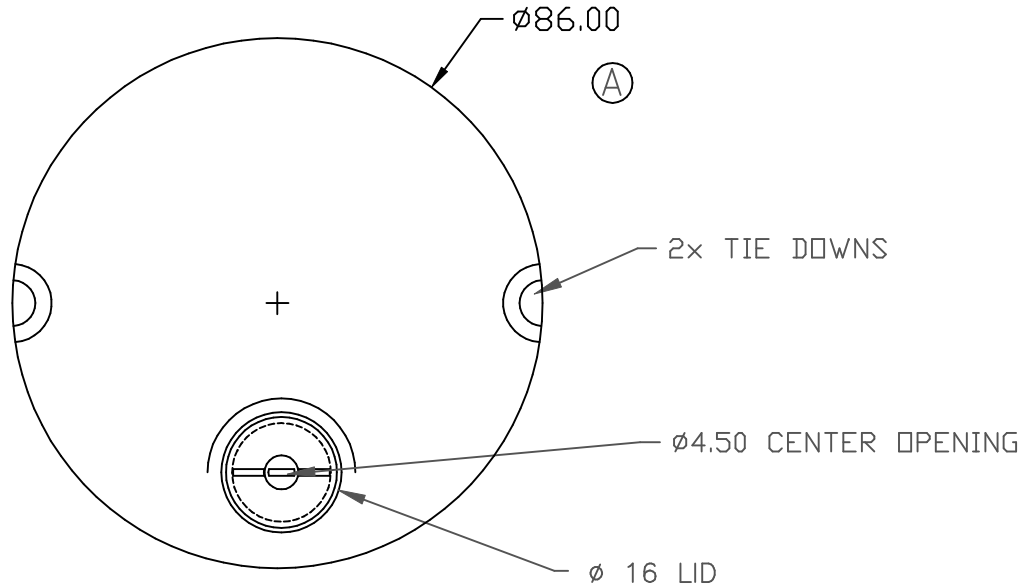


PROPRIETARY DATA

PROPERTY OF DEN HARTOG INDUSTRIES, INC. INFORMATION FURNISHED HEREIN IS THE PROPERTY OF DEN HARTOG INDUSTRIES, INC. AND SHALL NOT BE USED, DISCLOSED TO OTHERS, OR COPIED WITHOUT THE EXPRESSED WRITTEN CONSENT OF DEN HARTOG INDUSTRIES, INC. ALL RIGHTS RESERVED.


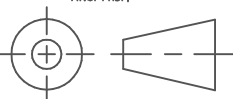
VT1500-86

A



8 X 10 FLAT FOR FITTING 2 INCH STANDARD FITTING

FLAT 45° FROM FRONT FLAT

				DRAWN / DATE DHJ 01/13/04		MATERIAL		 <b>ACE ROTO-MOLD</b> A DIVISION OF DEN HARTOG INDUSTRIES, INC. 4010 HWY. 60 BLVD., BOX 425, HOSPERS, IOWA 51238	
				APPRD. / DATE ADH 11/19/07		HDPE OR EQUIVALENT REFERENCE MATERIAL DATA SHEET FOR SPECIFIC PROPERTIES.			
A	DIAMETER WAS 85, PN WAS VT1500-85	7/31/06	NVE					CLIENT / DESCRIPTION 1500 GALLON VERTICAL TANK	
REV	DESCRIPTION	DATE	APPRD					SCALE N.S.	PART NO. VT1500-86
ALL DIMENSIONS ARE IN DECIMAL INCHES TOLERANCES UNLESS OTHERWISE SPECIFIED $\pm 1\% @ 68^\circ F$				THIRD ANGLE PROJECTION ANSI 14.5M 		NOTES: 1. BLUE, BLACK, GREEN, WHITE, OR YELLOW COLOR 2. SHOT WEIGHT 250 LBS. 3. NOM. WALL .300			