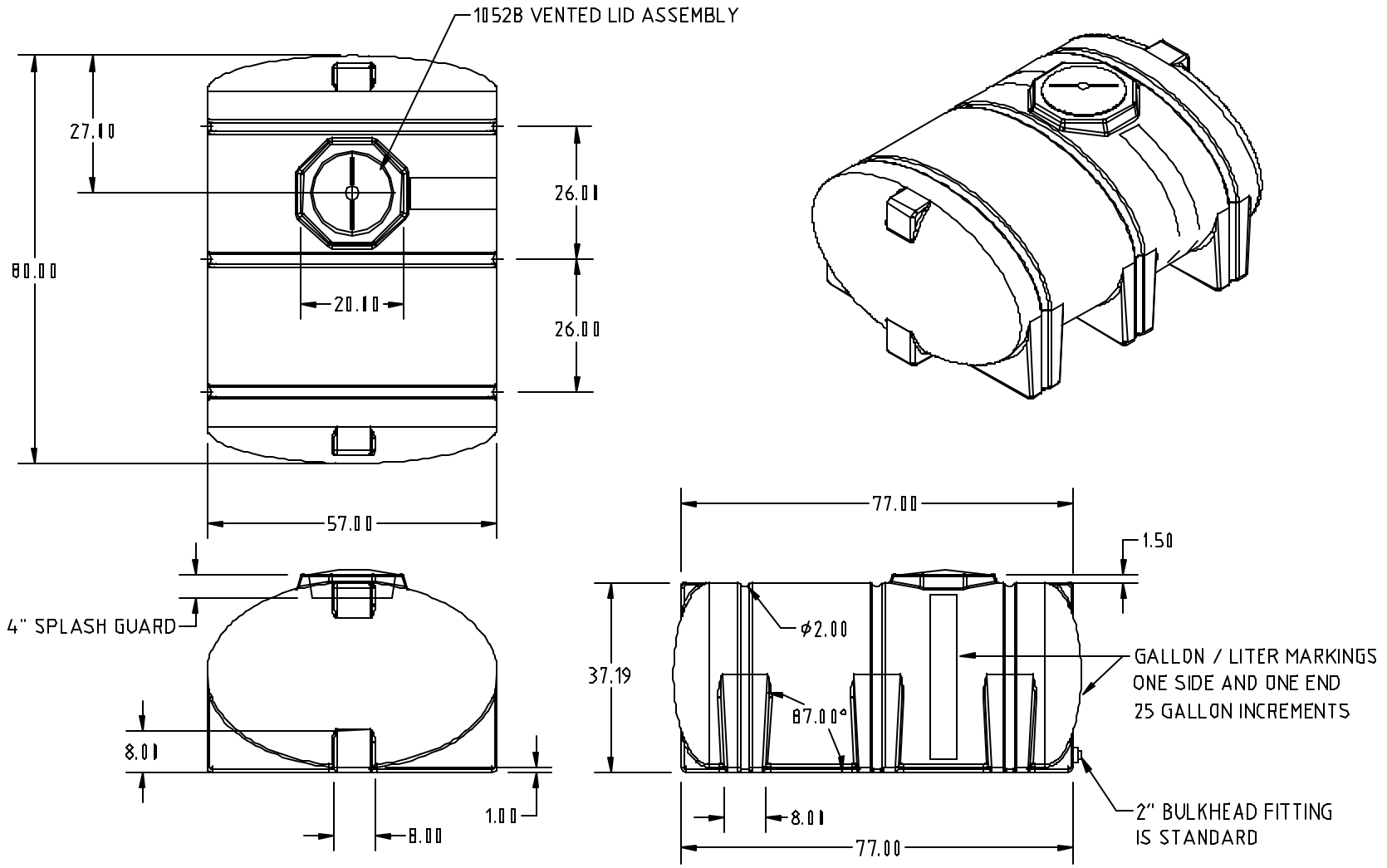

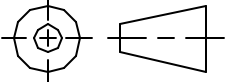


PROPRIETARY DATA

FS0511-57

PROPERTY OF ACE ROTO-MOLD MFG., INC. INFORMATION FURNISHED HEREIN IS THE PROPERTY OF ACE ROTO-MOLD MFG., INC. AND SHALL NOT BE USED, DISCLOSED TO OTHERS, OR COPIED WITHOUT THE EXPRESSED WRITTEN CONSENT OF ACE ROTO-MOLD MFG., INC. ALL RIGHTS RESERVED.



		DRAWN / DATE REH / 5/9/15		MATERIAL		 Ace Roto-Mold A DIVISION OF DEN HARTOG ENGINEERING 401B HWY. 60 BLVD., BOX 421, HDSPERS, IGWA 5123B	
		APPRD. / DATE REH / 5/9/15		MOBIL 111 HOPE OR EQUIVALENT REFERENCE MATERIAL DATA SHEET FOR SPECIFIC PROPERTIES.			
REV	DESCRIPTION	DATE	APPRD.	NOTES:		CLIENT / DESCRIPTION FS0510-57 ELLIPTICAL LEG TANK	
ALL DIMENSIONS ARE IN DECIMAL INCHES TOLERANCES UNLESS OTHERWISE SPECIFIED $\pm 1\% @ 68^\circ F$				THIRD ANGLE PROJECTION ANSI 1:5:1 		SCALE N.S.	
				1. NOM. WALL @ .301 2. WHITE DR. EGLDR 3. SHOT WEIGHT 162 LBS.		PART NO. FS0510-57	