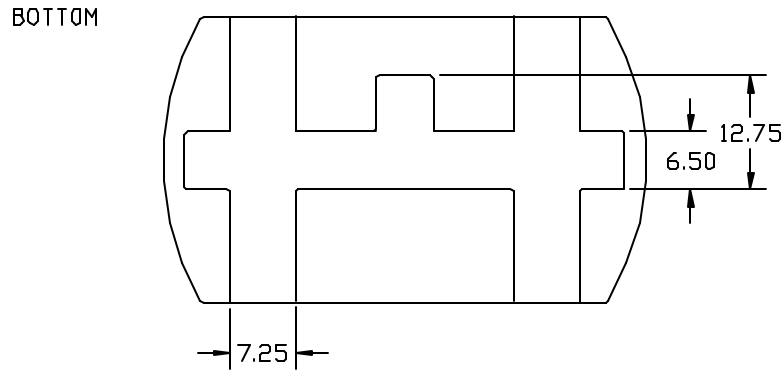
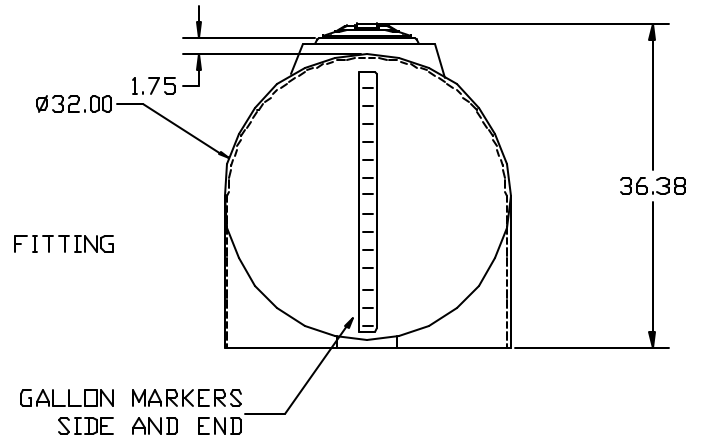
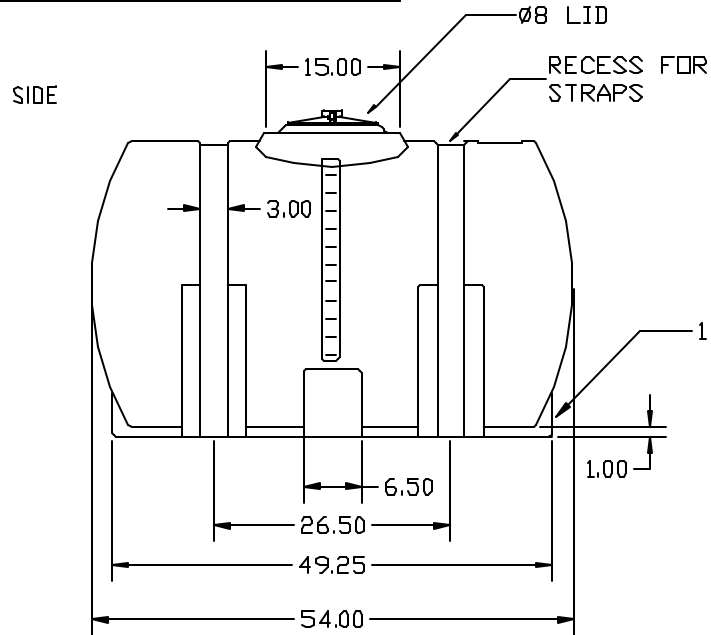

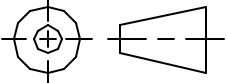


PROPRIETARY DATA

PROPERTY OF ACE ROTO-MOLD MFG., INC. INFORMATION FURNISHED HEREIN IS THE PROPERTY OF ACE ROTO-MOLD MFG., INC. AND SHALL NOT BE USED, DISCLOSED TO OTHERS, OR COPIED WITHOUT THE EXPRESSED WRITTEN CONSENT OF ACE ROTO-MOLD MFG., INC. ALL RIGHTS RESERVED.

FS0165-32



		DRAWN / DATE NVE 6/9/15		MATERIAL		 Ace Roto-Mold A DIVISION OF DEN HARTOG INDUSTRIALING 401B HWY. 60 BLVD., BOX 421, HDSPERS, IQWA 5123B	
		APPRD. / DATE DHJ 6/21/15		MOBIL 134 HDPE OR EQUIVALENT REFERENCE MATERIAL DATA SHEET FOR SPECIFIC PROPERTIES.			
REV	DESCRIPTION	DATE	APPRD.	THIRD ANGLE PROJECTION ANSI 11.5-1		CLIENT / DESCRIPTION 165 GALLON CAPACITY FREE STANDING LEG TANK	
ALL DIMENSIONS ARE IN DECIMAL INCHES TOLERANCES UNLESS OTHERWISE SPECIFIED ± 1% @ 68° F						NOTES: 1. NOM WALL @ 2011 2. WHITE DR EGLDR 3. SHGT WEIGHT 71 LBS.	
				SCALE N.S.		PART NO. FS0165-32	